



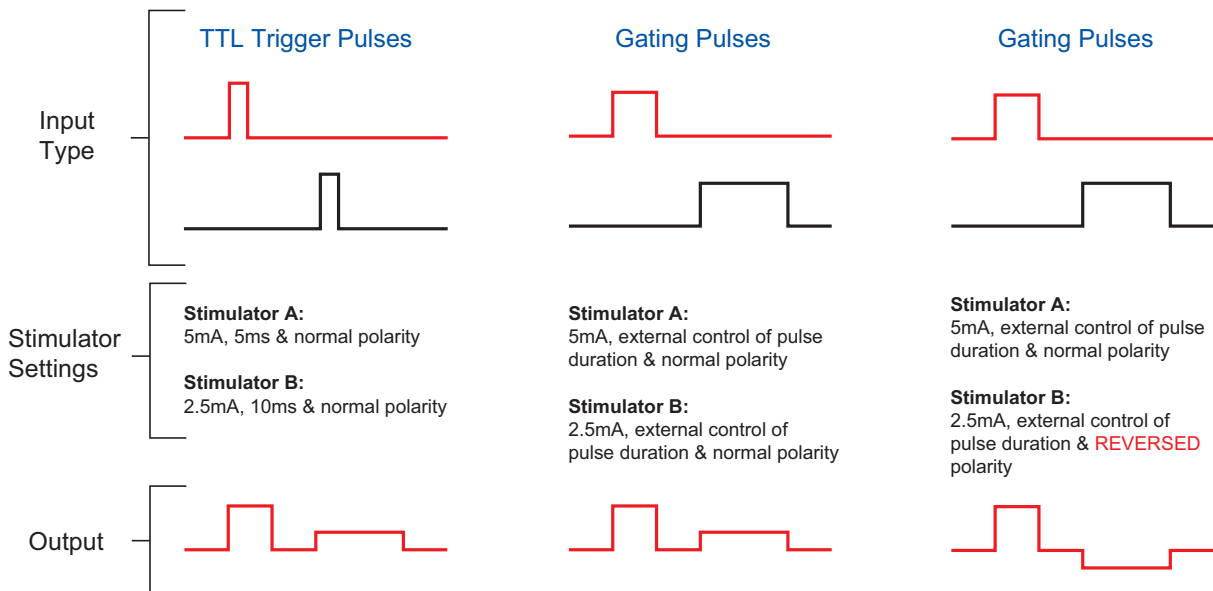
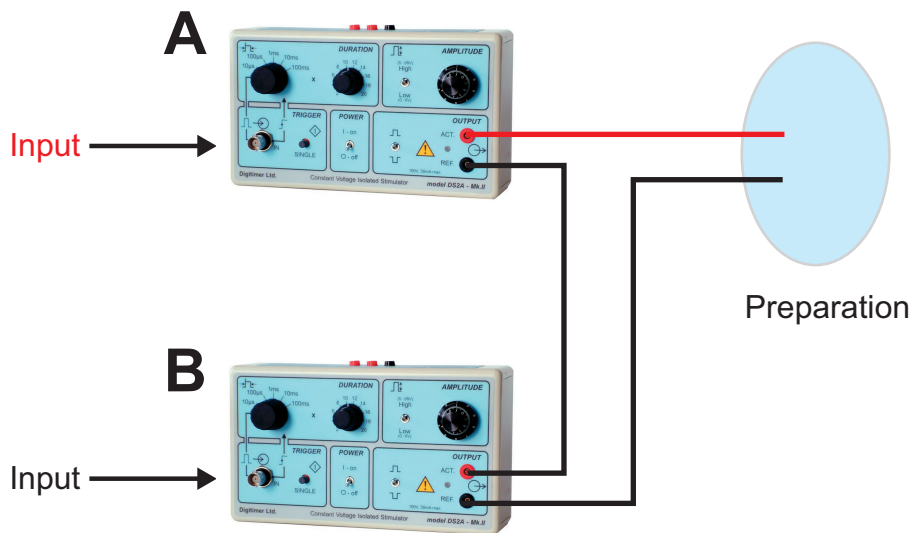
Using two DS2A stimulators in series allows stimulation through the same electrodes with different pulse types

Simply link the red and black outputs together as shown below and connect stimulators A and B to their appropriate trigger/gating source. The two stimulators can then provide two types of stimulus pulses with different durations or amplitudes in response to:-

- (i) Incoming TTL pulses - where the individual stimulators would control pulse duration, amplitude and polarity.
- (ii) Gating Pulses of different durations - where the stimulators would just control amplitude and polarity.
- (iii) Pushing the front panel "single-shot" buttons on each of the stimulators.

Because the DS2A stimulators include a polarity toggle switch, it is also possible to provide biphasic stimulation using the setup above, however, the stimulators would need to be set to opposing polarities to achieve this.

Please note that this configuration is NOT possible with the DS3 Constant Current Stimulator - please refer to our DS3 application sheets.



Application Note