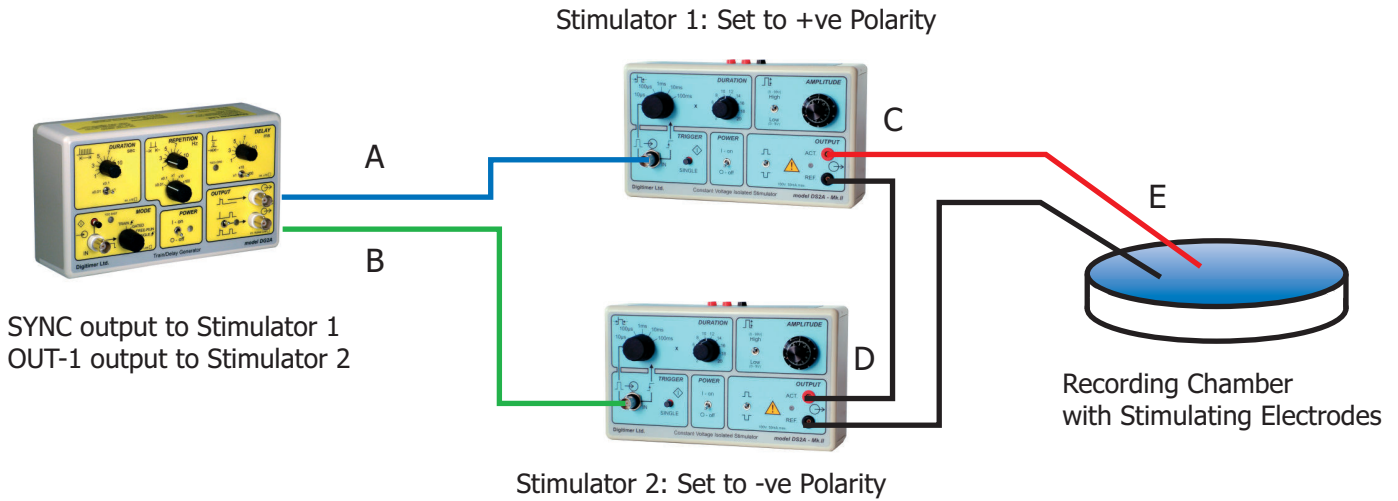


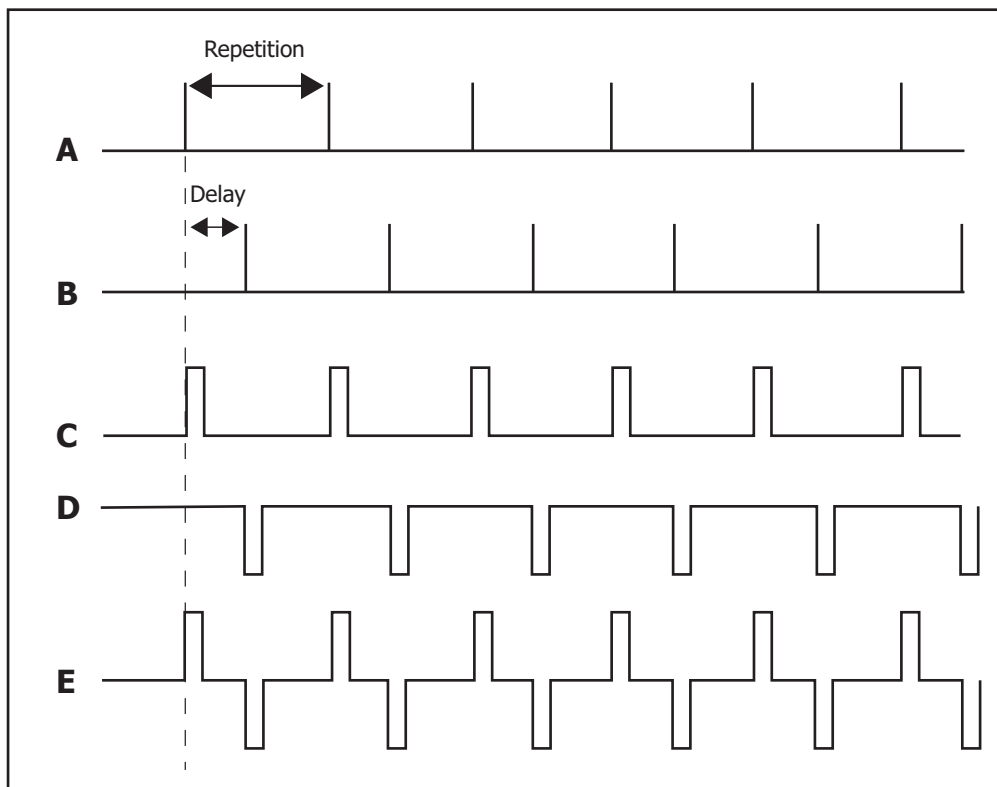


## Using a DG2A Train/Delay Generator & Two DS2A Isolated Stimulators to Produce a Biphasic Constant Current Stimulus



In this application, a single DG2A unit is being used to trigger two DS2A constant voltage stimulators which are connected in series so that the preparation can be stimulated with a positive going stimulus from one stimulator followed by negative going stimulus from the other. The stimulus polarity, duration and amplitude are controlled by the front panel switches on the DS2A's. Stimulus frequency is controlled by the REPETITION dial of the DG2A which is set to FREE RUN mode and the delay between the positive and negative going pulses is determined by the DELAY setting. The DG2A can also be triggered remotely via TTL pulses or via the front panel "single shot" push button. For further information on the possible range of settings available, please refer to our DG2A and DS2A product literature.

**Please note that this configuration is NOT possible with the DS3 Constant Current Stimulator - please refer to our DS3 application sheets.**



**Application Note**