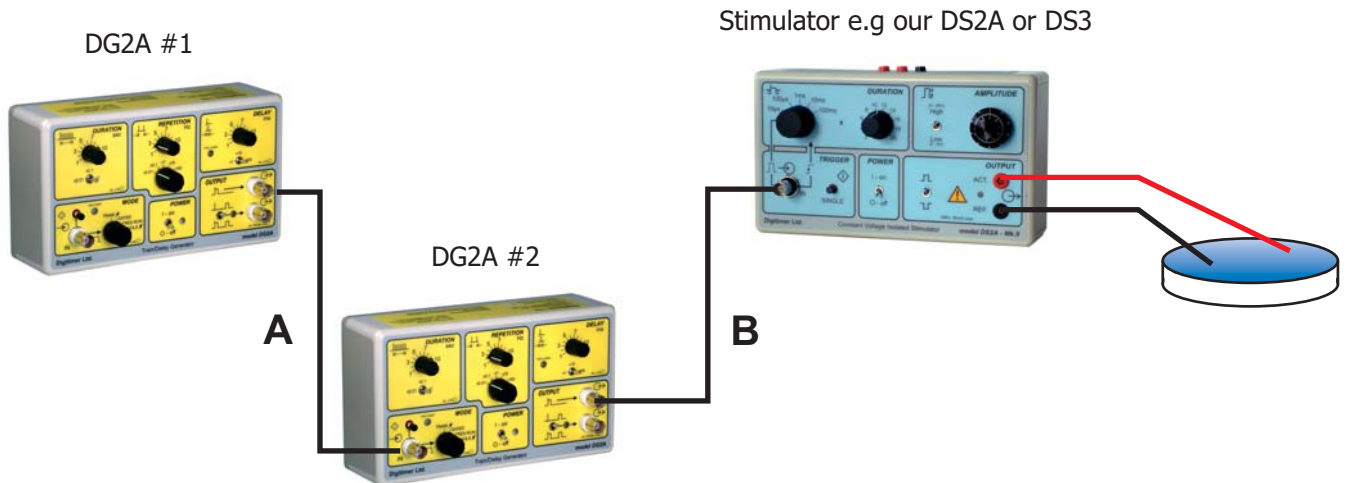


# Digitimer

## Research Instruments

### Using Two DG2A Train/Delay Generators to Produce a Repeating Stimulus Train with Control of Train Frequency & Duration



The first DG2A is set to FREE RUN to produce output pulses continuously at a frequency (0.01Hz to 1200Hz) controlled by the front panel REPETITION dial. OUT-1 of this unit is connected to the Trigger input of the second DG2A, which is set to TRAIN mode. The parameters of the stimulus train are determined by the settings of the DURATION (10ms to 12s\*) and REPETITION (0.01Hz to 1200Hz) controls on the second DG2A. The OUT-1 of this unit is connected to a suitable stimulator which controls the stimulus pulse duration and amplitude.

(\* Duration range can be changed from the default range to 100ms - 120s using an internal jumper)

