



Brain Slice Chamber System

BSC2

Interface Preparations

The BSC2 chamber is designed to maintain isolated, living tissues *in vitro* in 'interface' mode and allow stable electrophysiological recordings to be made from the preparation Murphy *et al* (2000), Milner *et al* (2002). The temperature is controlled by a proportional control heating unit, the PTC03.

FEATURES

- * 'Interface' method of slice maintenance
- * Single feed channel for perfusion solution
- * Use entire surface for multiple slices or templates
- * Single well diamond shaped templates, other designs available upon request
- * Proportional temperature controller (PTC03) with low noise performance used for heating

The chamber lower section is similar to the BSC1 for temperature control and oxygenation. Pre-oxygenated medium enters the main body of the chamber through a feed line. The fine bore PTFE tube which spirals in the heated distilled water in the lower part of the chamber enters the upper part of the chamber. Here any bubbles in the line break and allow perfusion fluid to flow smoothly towards the slices. Acrylic templates allow the option for use of a single well or can be custom designed. The templates are positioned on the chamber acrylic base and optionally silicone grease used to make the seal on the bottom (see diagram below). Typical dead space volume for the single well is approx. 200 ul. The length of PTFE tubing carrying the perfusion solution to the wells has a volume of approx. 400ul. The flow rate of the perfusion fluid is adjusted at the exit well by means of lens tissue which is used to wick solution out of the exit port. By adjusting the 'over hang' the flow rate is effectively adjusted and determines the characteristics of the meniscus of fluid around the slice preparation.



As with all interface preparations, the high oxygen tension is maintained by bubbling a 95% oxygen, 5% carbon dioxide gas mixture through a ceramic bubbler located in the lower heated part of the chamber. This moistened and warmed gas mixture enters the upper part of the chamber via port-holes and is then deflected by an acrylic cover across to the centrally located slice preparation. The temperature in the upper chamber is maintained by ensuring that the medium and moistened gas mixture enter at the required temperature. This is dependent on the temperature of the lower chamber body which is warmed by a heating element controlled by the Proportional Temperature Controller PTC03. An optional monitor sensor allows the upper chamber temperature to be checked when required.

References:

Milner, A.J. Cummings, D.M. Stewart M.G. and Murphy K.P.S.J. (2002) Age-dependent long-term depression at CA3-CA1 synapses in mouse hippocampal slices. *J Physiol* 544P

Murphy, K.P.S.J., Carter, R.J., Lione, L. A., Mangiarini, L., Mahal, A., Bates, G.P., Dunnett, S.B., and Morton. J. (2000) Abnormal Synaptic Plasticity and Impaired Spatial Cognition in Mice Transgenic for Exon 1 of the Human Huntington's Disease Mutation. *J. Neuroscience* 20(13):5115-5123



Scientific Systems Design Inc

Innovative Engineering for Science

Mailing and Administration
 2620 Credit Valley Rd
 Mississauga
 Ontario L5M 4J7
 Canada

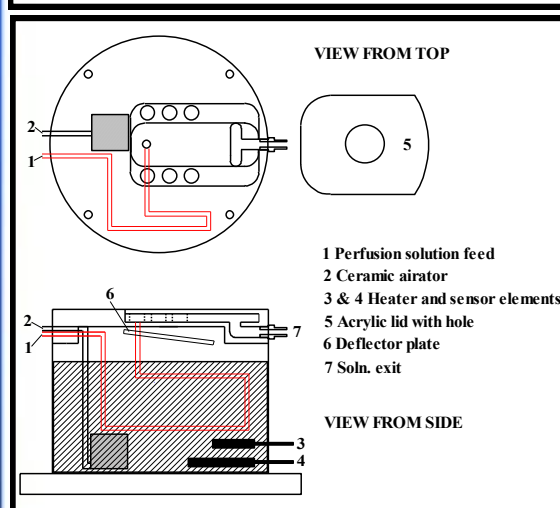
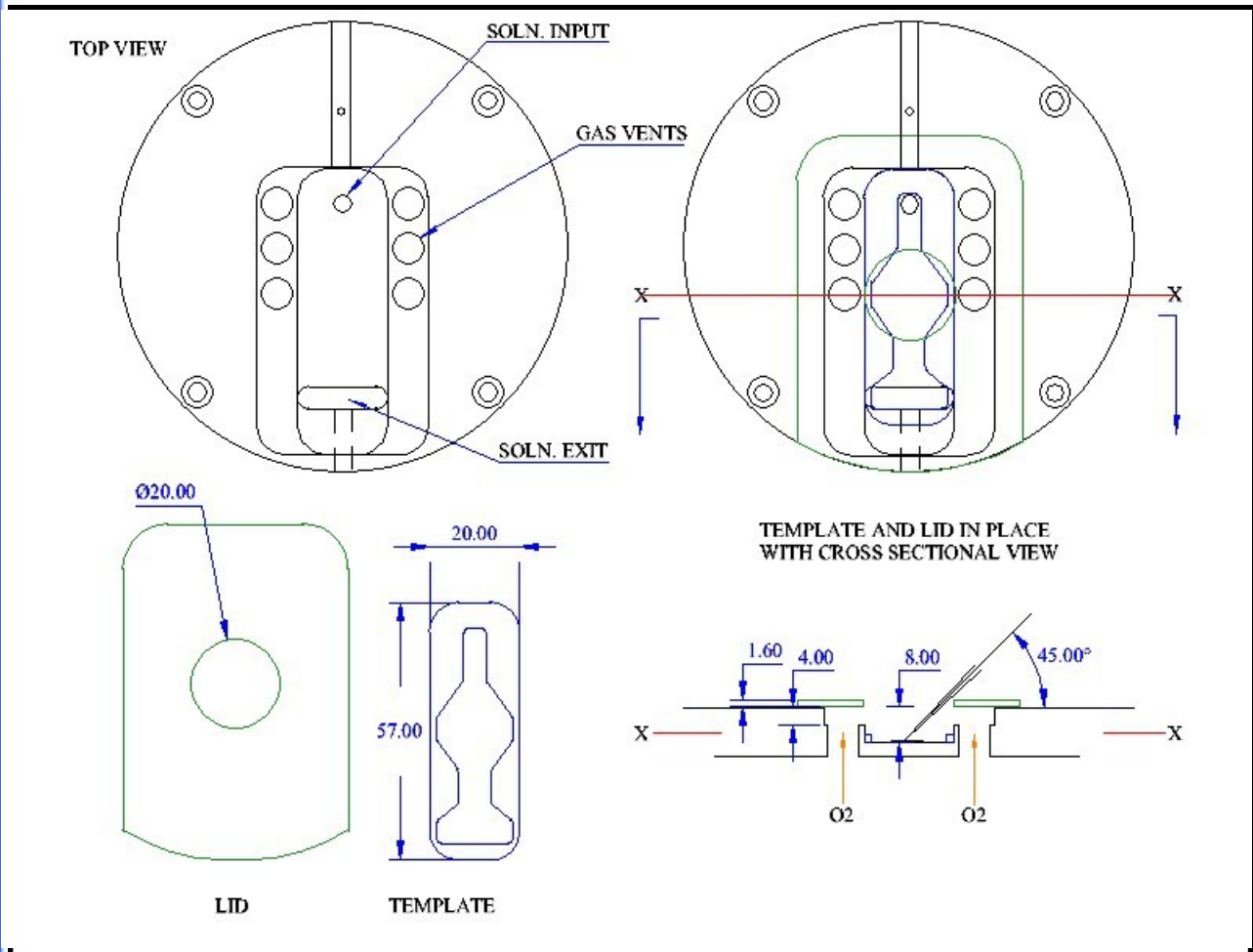
Manufacturing
 1365 #14 Mid-Way Blvd
 Mississauga
 Ontario L5T 2J5
 Canada

Contact
 Tel: 1 905 608 9307
www.scisys.info
ssd@scisys.info

Brain Slice Chamber System

BSC2

Schematic diagrams



BSC2 and template system

The channel within the template is diamond shaped for optimum flow and low dead space volume. The red lines opposite is a PTFE tube which spirals in the lower chamber before delivering the heated perfusate to the upper chamber. Ceramic aerator delivers fine bubbles of carbogen mixture into warmed distilled water in base of chamber. The warmed, humidified gas passes through port holes into the upper chamber and is then deflected and concentrated above the interface slice located in the template.

Proportional temperature controller PTC03 is used to maintain selected temperature via sensors and heating element located in lower chamber.