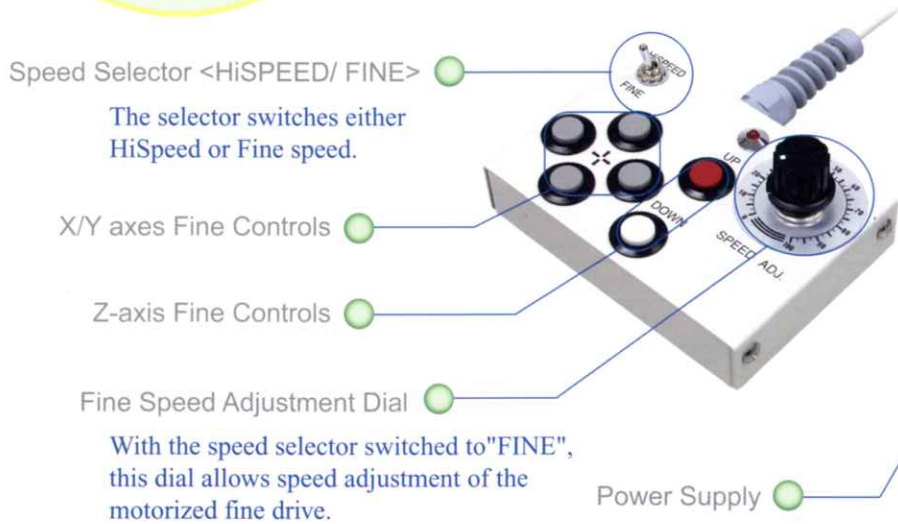
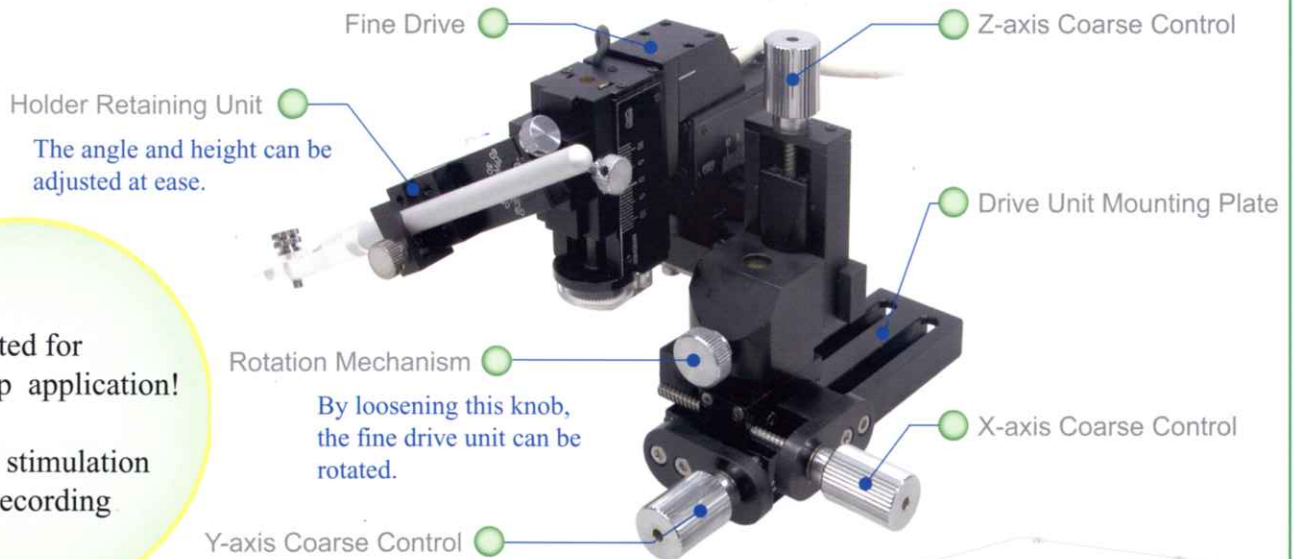




One More Unit for Your Multi-Recording

Low priced, Simple, and Compact designed Electric Micromanipulator

Suited for patchclamp application!
Used for stimulation and recording



● Set up example on ITS table

3-axis Motorized Micromanipulator MM-80

Movement Range	Fine 20mm in each axis Coarse 30mm Full rotation of knob: approx. 4mm in each axis	Fine Movement Control Method	Push button switches
		Power Source/ Voltage	100~240V (±5%) / 50~60Hz
Fine Drive Source	DC motor	Dimensions/ Weight	Drive Unit: W145x140xH135mm / 1.1kg
Minimum Drive Speed	Theoretical value: 10 μm/sec <DC motor drive>		Control Unit: W100x75xH50mm / 0.25kg
Maximum Drive Speed	Theoretical value: 150 μm/sec <DC motor drive>		Power Supply: W125x105xH85mm / 1.5kg
Cable Length	Drive Unit⇔Power Supply: approx. 2,500mm Control Unit⇔Power Supply: approx. 1,500mm		

Narishige Group

NARISHIGE SCIENTIFIC INSTRUMENT LAB.
27-9, Minamikarasuyama 4-chome, Setagaya-ku, Tokyo 157-0062
TEL: +81-3-3308-8233 FAX: +81-3-3308-2005
E-Mail: sales@narishige.co.jp
http://www.narishige.co.jp

NARISHIGE INTERNATIONAL USA, INC.
1710 Hempstead Turnpike, East Meadow, NY 11554, U.S.A.
Phone: +1-516-794-8000 Fax: +1-516-794-0066
Toll Free: 1-800-445-7914
e-mail: narishige-usa@pb.net
Web site: http://usa.narishige-group.com/

NARISHIGE INTERNATIONAL LTD.
Unit 7, Willow Business Park, Willow Way, London SE26 4QP, U.K.
Phone: +44-20-8-699-9696 Fax: +44-20-8-291-9678
e-mail: eurosales@narishige.co.uk
Web site: http://uk.narishige-group.com/